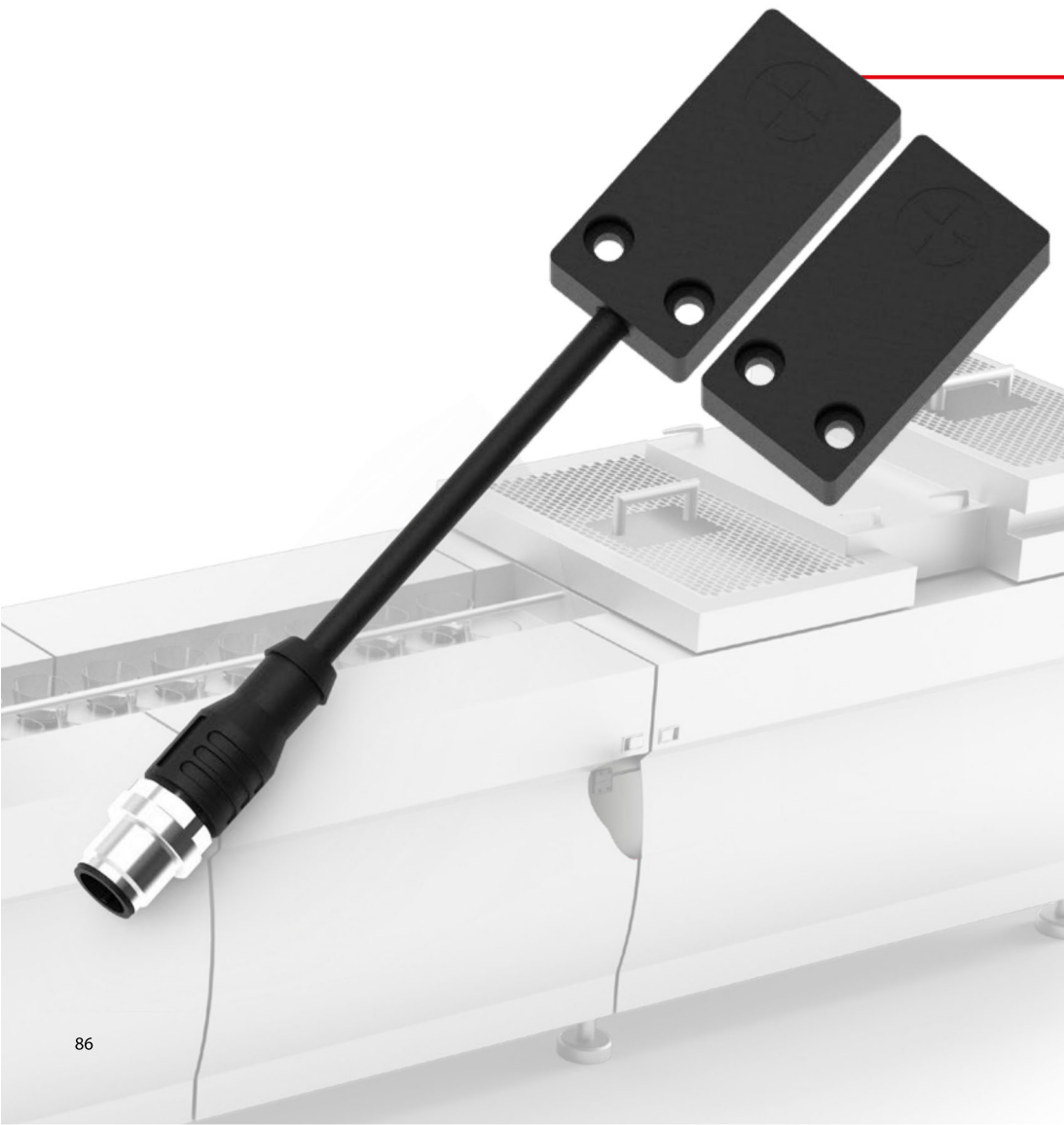


Magnetic coded safety sensor MAK-50



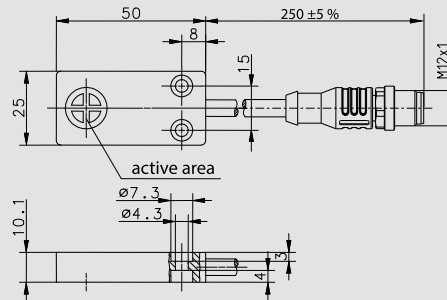
MANY BENEFITS AT A GLANCE

- Extra flat design
- Compact
- No external moving parts
- Low susceptibility to non-metallic dusts and liquids
- Easy to clean
- Low coding according to ISO 14119

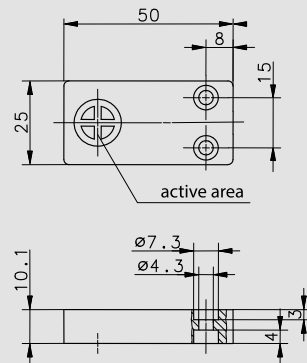
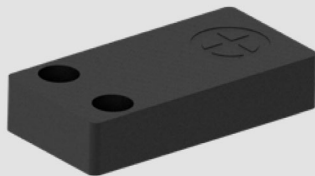
Technical data

maximum switching voltage	maximum switching current	maximum switching power	Temperature with movable cable	Temperature with fixed cable	Protection class
30 V DC	0,08 A	0,25 W	- 5 °C up to +70 °C	- 25 °C up to +70 °C	IP67
Coding of all sensors	Low coding level according to ISO 14119				

MAK 50 Sensor



MAK 50 Magnet



Sensors

Article number	Designation	Safety contacts	Signalling contacts	LED	Connection
6490650369	MAK-5046-C-0.25-M12	2NO	-	without	With M12 Pigtail
6490650381	MAK-5066-C-0.25-M12-M	2NO	1NO	without	With M12 Pigtail
6490650370	MAK-5046-CD-0.25-M12	1NC / 1NO	-	without	With M12 Pigtail
6490650382	MAK-5066-CD-0.25-M12-M	1NC / 1NO	1NO	without	With M12 Pigtail
6490650371	MAK-5046-C-0.25-M12-L	2NO	-	with	With M12 Pigtail
6490650395	MAK-5066-C-0.25-M12-LM	2NO	1NO	with	With M12 Pigtail
6490650396	MAK-5046-CD-0.25-M12-L	1NC / 1NO	-	with	With M12 Pigtail
6490650397	MAK-5066-CD-0.25-M12-LM	1NC / 1NO	1NO	with	With M12 Pigtail
6490650372	MAK-5046-C-2	2 NO	-	without	With 2 m cable and open cable end
6490650383	MAK-5066-C-2-M	2NO	1NO	without	With 2 m cable and open cable end
6490650367	MAK-5046-CD-2	1NC / 1NO	-	without	With 2 m cable and open cable end
6490650384	MAK-5066-CD-2-M	1NC / 1NO	1NO	without	With 2 m cable and open cable end
6490650373	MAK-5046-C-2-L	2NO	-	with	With 2 m cable and open cable end
6490650398	MAK-5066-C-2-LM	2NO	1NO	with	With 2 m cable and open cable end
6490650399	MAK-5046-CD-2-L	1NC / 1NO	-	with	With 2 m cable and open cable end
6490650400	MAK-5066-CD-2-LM	1NC / 1NO	1NO	with	With 2 m cable and open cable end

Other cable lengths available on request.



Options

Magnet

Article number	Designation	S _{ao}	S _{ar}
6402050086	TK-50-CD/2	≥ 6 mm	≤ 22 mm

- You will find single-ended and double-ended cordsets under accessories (from page 162)
- One-way screws for fastening in accordance with ISO 14119 can be found from page 172 onwards.